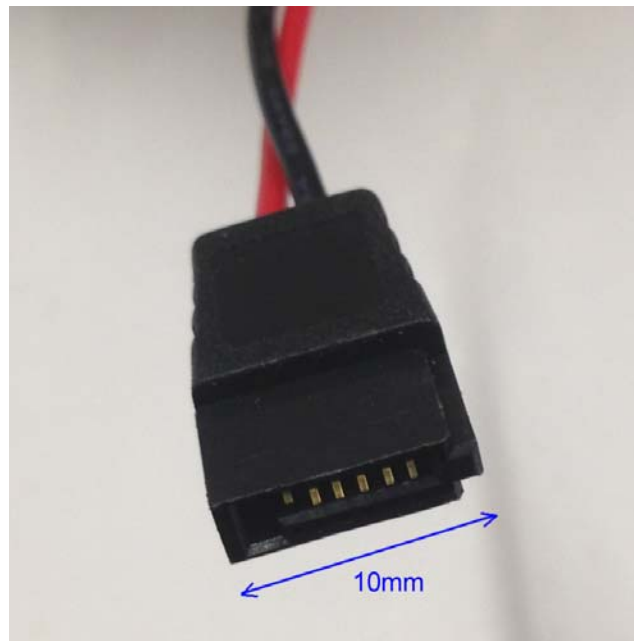
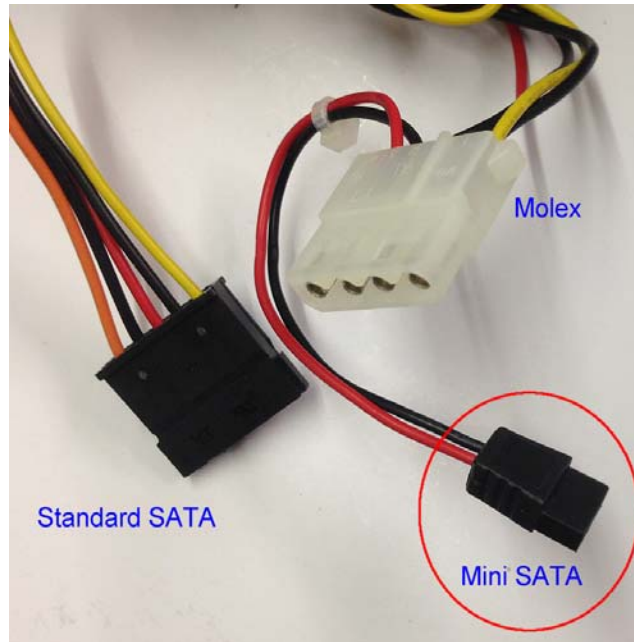




Kate & McKenzie (UK) Ltd T/A Evercase
Unit 4, Randolph Court, Randolph Industrial Estate
Kirkcaldy, Fife, KY1 2YY, UK
Tel: +44 (0) 1592 655 111
Email: sales@evercase.co.uk Website: www.evercase.co.uk
VAT No: GB980005247

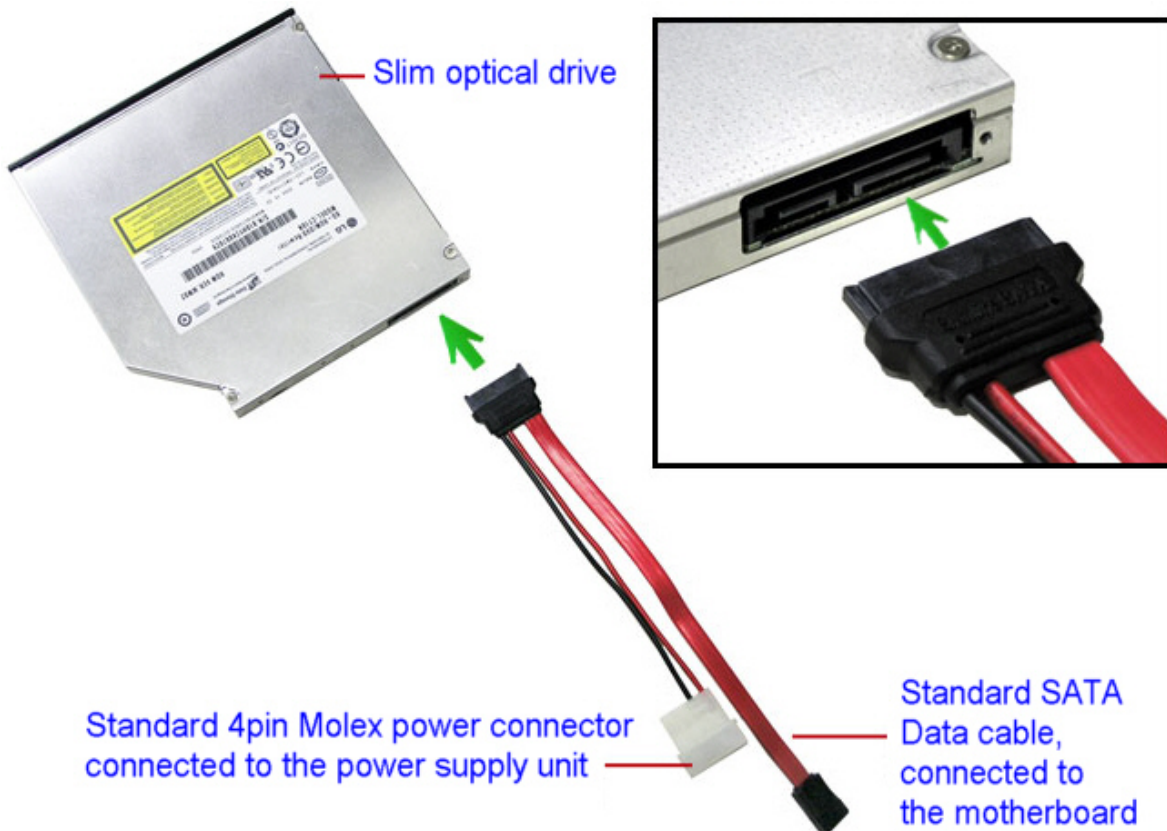
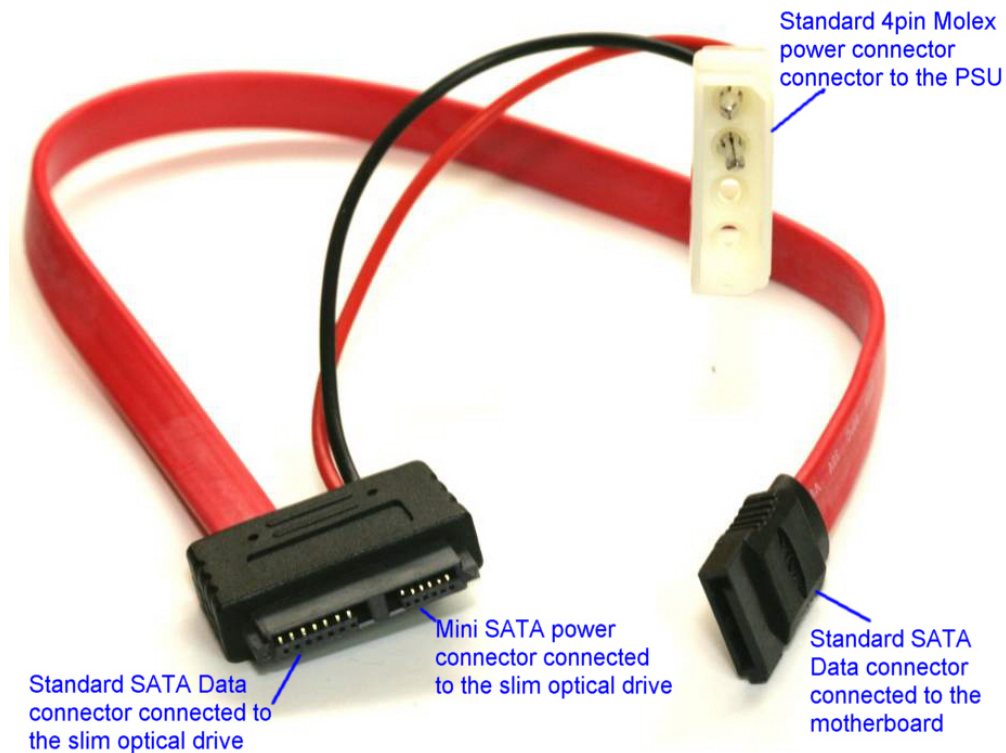
6pin Mini SATA power connector



This rare 6pin mini SATA power connector is used to power slim optical drives. It can be replaced by the following two adaptors, available on eBay or Amazon from other suppliers:

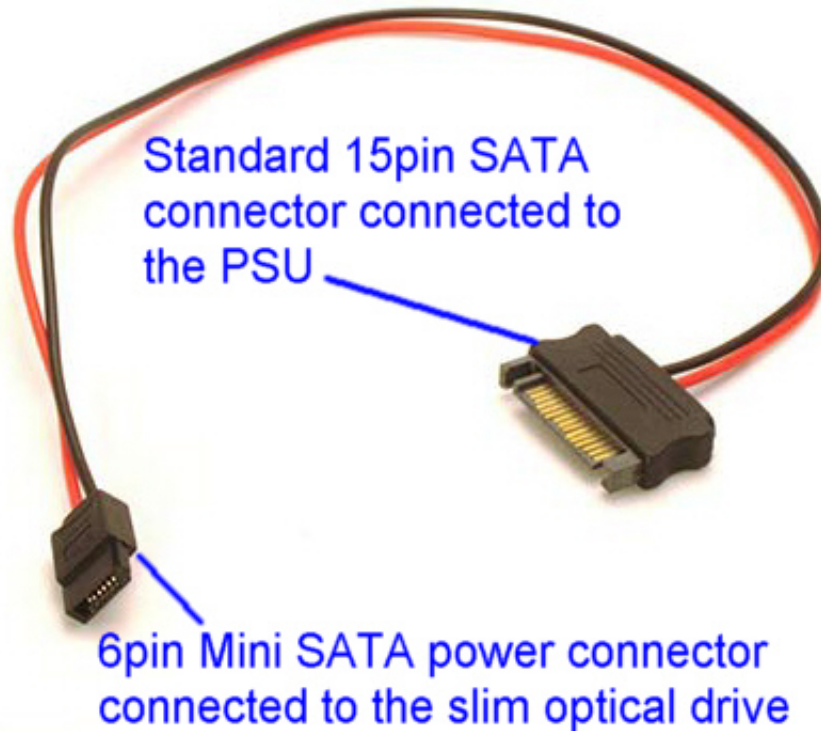
Mini / Micro SATA Data & Power Cable / Adapter:

Model No: **AKASA AK-CB050**



6Pin Mini SATA to 15Pin SATA Power Cable / Adapter:

Model No: [Delock85638](#) or [Delock82913](#)



Alternatively, the 6pin mini SATA power connector can be cut off from the old PSU and spliced on a new PSU. In order to keep the new PSU and its warranty intact, it is recommended to attach the mini SATA connector to any kind of extension or adaptor cable like the ones bellow.

Use the black (Ground) and red (+5V) wires.

